

What if you could eliminate the risk of designing your own HVAC system for a specialty environment *with a pre-engineered, packaged system?*



Air Innovations Pack Series is pre-engineered for specialty environments and hotspots such as

- Fur storage
- Wine Cellars
- Cigar storage
- Cheese Rooms
- Art storage
- Server rooms
- Instrument storage



PACK Series are the most versatile specialty cooling systems on the market. Applications include wine cellars, art or document preservation, instrument or fur storage, cheese rooms, computer closets, niche environments, and more; these units can be used in nearly any application.

All Inclusive

- **¼-ton to 2-ton (Pack Series) & 1/2-ton to 1-ton (Pack-V)**
- High- and low-pressure safety switches
- Refrigerant sight glass and access ports
- Integral electric heater
- Low-ambient controls on condensing unit for winter operation

Durable

- Aluminum body and **all-aluminum** evaporator coils (fins & tubes) are **corrosion-resistant**
- Standard high static pressure fan for extended lengths of ductwork

Flexible

- Utility piping in one easily accessible location
- Multiple evaporator outlet locations (Any of three sides)
- Mountable between joists

Unique Options

- Remote user interface control system (For monitoring cellar/room conditions)
- Bolt-on humidifier
- **Water-cooled** or **air-cooled**



VPack Series
(Vertical Pack)



Pack Series

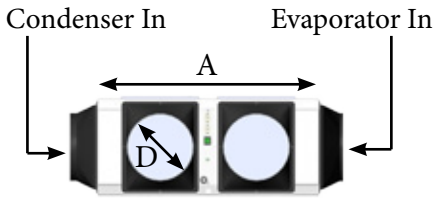
System Specifications (BTUH)*

Model	Wine Cellars (55°F/57%)	ASHRAE (80°F/50%)	Heat (kW)	Voltage (Hz)
PACK25	3,540	4,425	1.0	115
PACK50	5,860	7,835	1.0	115
PACK88	8,760	11,300	2.0	230
PACK200	15,900	20,500	2.0	230
VPACK50	5,860	7,835	1.0	115
VPACK88	8,760	11,300	2.0	230

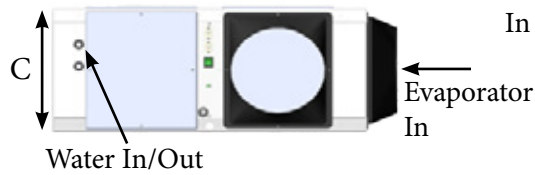
* See detailed specifications for complete product performance specifications, above table to be used as a guide only, based on 90°F condenser inlet conditions and maximum evaporator airflow at 0.0" esp.

Maximum advisable operating conditions are ASHRAE rating conditions of 80/50% indoor at 95°F outdoor.

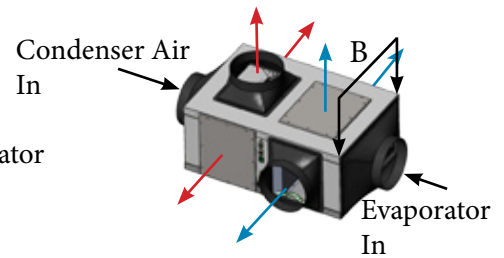
Pack Series



Side View Air-Cooled



Side View Water-Cooled



Three possible condenser air outlets

Three possible evaporator outlets

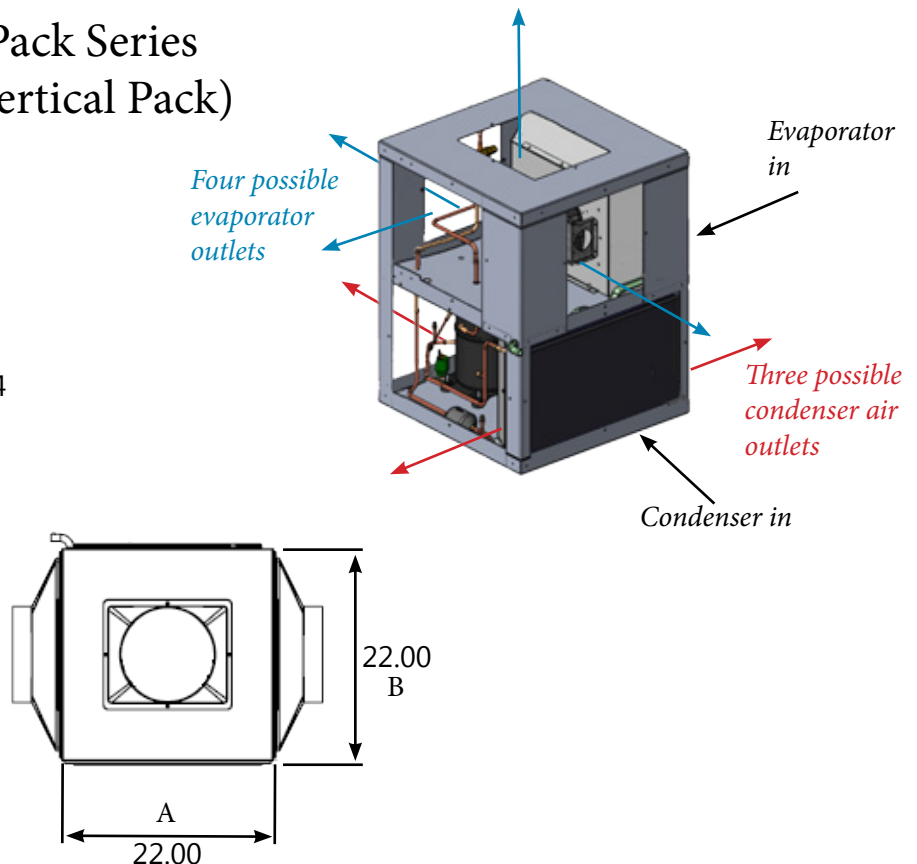
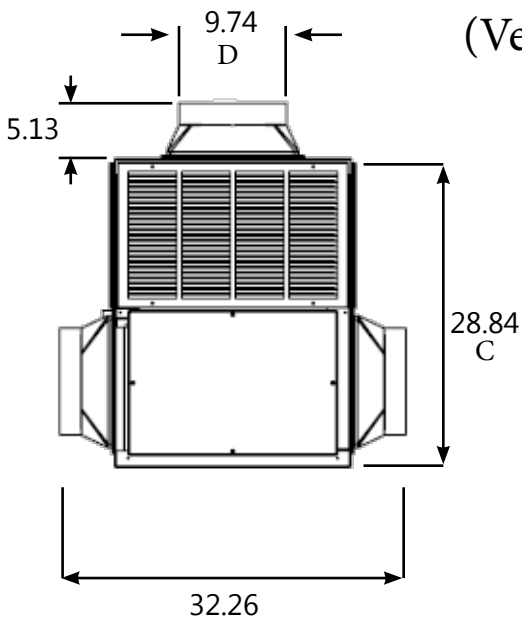
Pack Series Specifications*

Model	A	B	C	D	Weight
PACK25	33	14	14	8	80
PACK50	33	22	14	10	125
PACK88	33	22	14	10	130
PACK200	50	22	18	12	200
VPACK50	22	22	29	10	150
VPACK88	22	22	29	10	175

Note: Length, Width and Height in inches (in.); Weight in pounds (lbs.)

*Specifications subject to change

VPack Series (Vertical Pack)



Options



Pack shown with optional humidifier



Water-cooled configuration for Pack Series

Accessories



Wall mount controls for temperature and humidity



Remote sensor allows for control panel placement outside of temperature-controlled room

Air Innovations
distributor information: