

HEPAir® clean room HVAC systems are the only fully integrated modular HVAC systems specifically designed and manufactured for cleanroom and hi-tech industries such as computer rooms, laboratories, hospitals, facility additions, mini-environments, and process isolators.

HEPAir HVAC systems control temperature, humidity, pressure, and cleanliness.

Temperature can be controlled to $\pm 0.2^{\circ}\text{C}$ while humidity can be regulated to $\pm 0.5\%$ RH from desiccant levels to 95% saturation. Pressure can be regulated to be positive or negative, while cleanliness control is also included.



Standard Features

- Nominal 1-ton and 2-ton capacities
- Multi-panel design provides easy access for service
- Lightweight, all-aluminum outer body
- Mounts to ceiling, floor, or adjacent room
- Multiple supply and return air openings
- Completely self-contained design
- Factory-tested prior to shipment
- UL & CSA Approved

Options

- Self-contained air-cooled or integral water-cooled condensers
- Humidity Management (Dryer/Humidifier)
- PID temperature and/or humidity control
- High static pressure plug fans
- Integrated HEPA/ULPA filtration, UV lighting, and chemical filtration
- Explosion-proof
- Electric reheat
- Duct collars



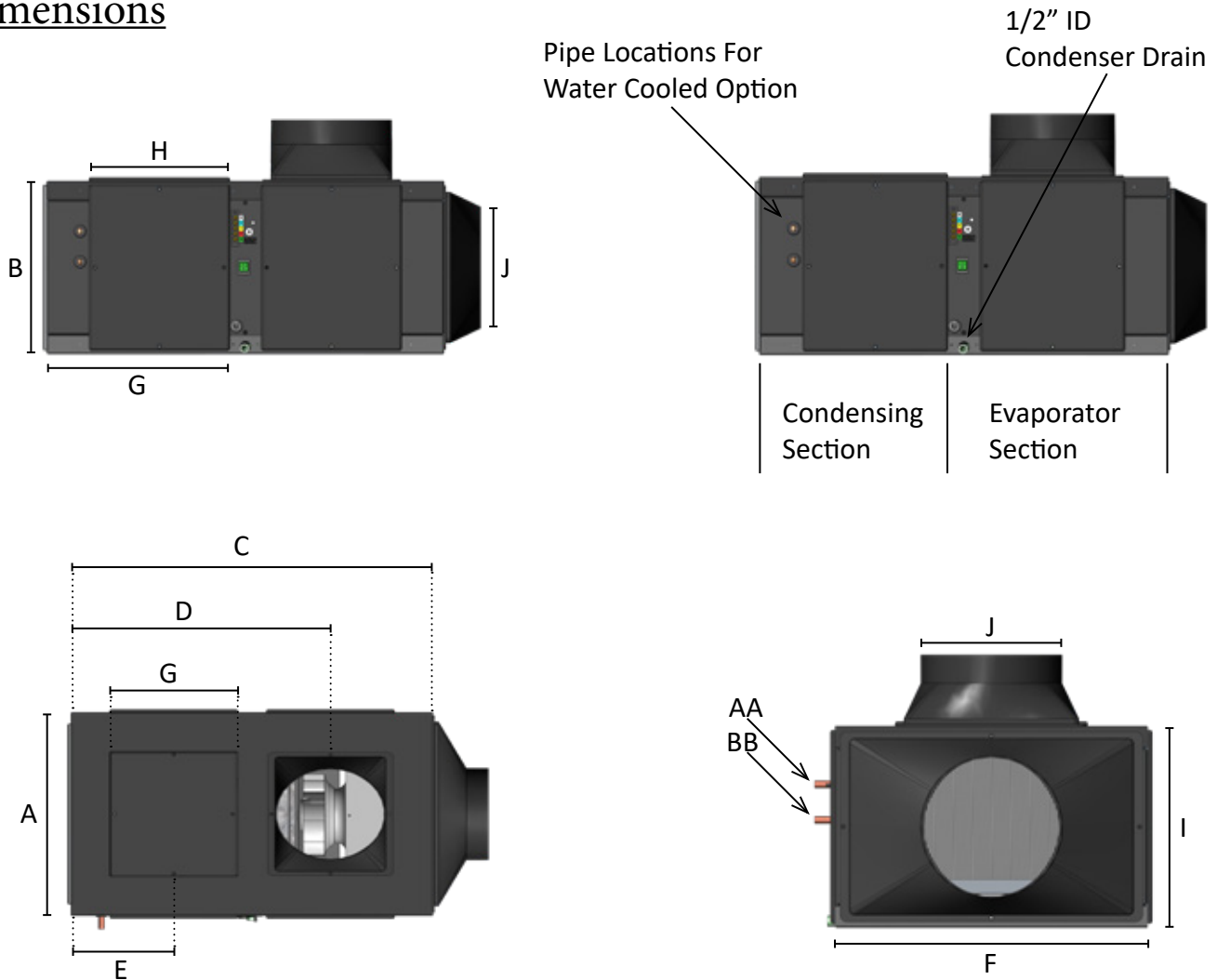
Air Innovations®

7000 Performance Drive ~ North Syracuse, NY 13212

1 (315) 452-7400 | 1 (800) 825-3268

info@airinnovations.com | www.airinnovations.com

Dimensions



Model	A	B	C	D	E	F	G	H	I	J	AA	BB	Weight
1-Ton*	22"	14"	32.63"	23.38"	9.25"	10"	16.31"	10"	12"	10"	0.5"	0.5"	135 lbs
2-Ton*	22.38"	18"	49.5"	37.19"	12.31"	18.88"	28.75"	11.63"	15"	12"	0.625"	0.625"	225 lbs

*Nominal 1-ton & 2-ton systems.

Measurement Key

A - Depth	B - Height	C - Width	D - Evap. Discharge Location	E - Cond. Discharge Location	F - Inlet Opening Width
G - Drain Outlet Location	H - Discharge Opening Width	I - Inlet Opening Height	J - Duct Opening	AA - Water Out (O.D.)	BB - Water In (O.D.)

Rev 11/18