

Console Management System

Models ME100 & ME100N



Air Innovations Console Management Systems

Micro Environments (models ME00 and ME100N) console management systems are attached to a personal work surface and combine environmental control, lighting control and lift functions inside a single unit. These desktop control systems are

available in two models: a self-contained one-piece and a design with ducted supply air.

Standard Features

- Adjustable louvers allow air to be directed at the user
- Stores up to 99 unique user profiles
- Forced air heating – variable output
- Variable speed cooling fan
- Integrated Linak leg lifts
- Color touch screen control
- Integrated motion sensor that shuts down fan, heater and task lighting after ten (10) minutes of inactivity
- Task light dimming

Self-Contained (Model ME100)



Installed from the top of the desk

Ducted (Model ME100N)

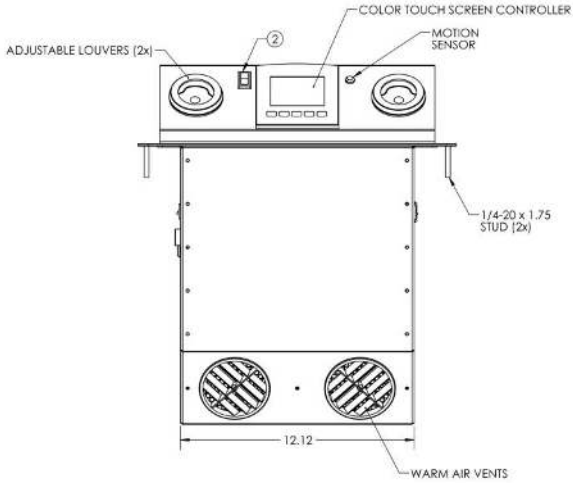


Installed from the bottom of the desk

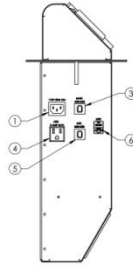
Console Management System

Models ME100 & ME100N

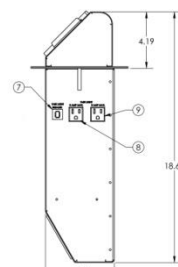
ME100 Front View



Left side

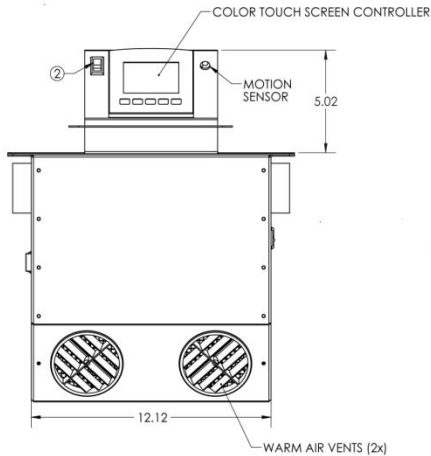


Right side

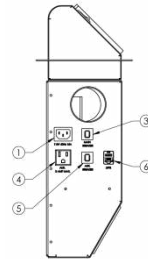


1	IEC POWER CORD RECEPTACLE
2	MAIN POWER SWITCH
3	MAIN CIRCUIT BREAKER
4	AUXILIARY OUTLET
5	AUXILIARY OUTLET CIRCUIT BREAKER
6	LEG LIFT INTERFACE CONNECTOR
7	TASK LIGHT CIRCUIT BREAKER
8	TASK LIGHT OUTLET
9	TASK LIGHT OUTLET

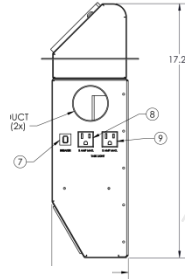
ME100N Front View



Left side



Right side



1	IEC POWER CORD RECEPTACLE
2	MAIN POWER SWITCH
3	MAIN CIRCUIT BREAKER
4	AUXILIARY OUTLET
5	AUXILIARY OUTLET CIRCUIT BREAKER
6	LEG LIFT INTERFACE CONNECTOR
7	TASK LIGHT CIRCUIT BREAKER
8	TASK LIGHT OUTLET
9	TASK LIGHT OUTLET

Standard Features

Cooling	0- 1500fpm
Heat	0-350W
Lighting	0-100%, Max 3A load
Lifts	2 Linak controlled by RJ12 connector
Auxiliary outlet	Andon or other (cell phone charger, radio, etc.)
Memory	Store up to 99 unique user profiles
Integrated motion sensor	10-min turn off with no activity; returns to last setting upon activation
Commercial grade	Powder coated, lightweight aluminum
Touch screen control	Cooling, heating, date, time, brightness and prefilter interval
Dimensions	14.25" wide X 5" deep X 16.25" high (4" above desk)
Filtration	MERV 7

ME100 is covered under U.S. Patent No. D753,609, Canada 161095

ME100N is covered under U.S. Patent No. D751,996, Canada 161091

and other patents pending



Rev.7-2017