



Mounted vertically under desk



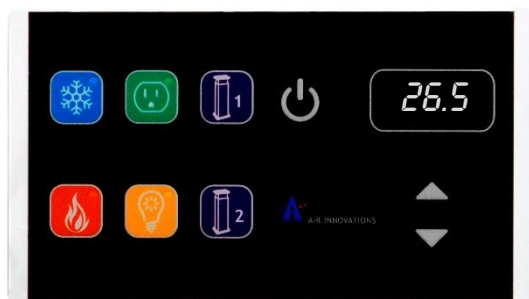
Mounted horizontally under desk

Air Innovations Console Management System

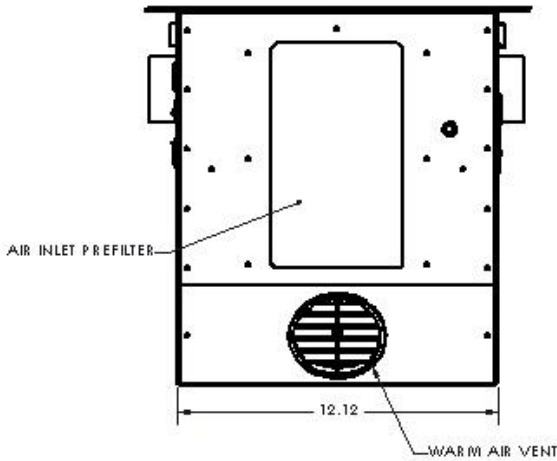
Micro Environments (model ME200) console management systems are attached to a personal work surface and combine environmental control, lighting control and lift functions inside a single unit. This desktop management system features a non-fixed controller, allowing users the flexibility to position the controller anywhere on their desk.

Standard Features

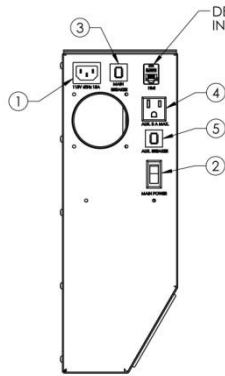
- Adjustable louvers allow air to be directed at the user
- Forced air heating – variable output
- Non-fixed controller for user placement convenience
- Variable speed cooling fan
- Integrated Linak leg lift control
- Task light dimming
- Optional motion sensor that shuts down fan, heater and task lighting after ten (10) minutes of inactivity



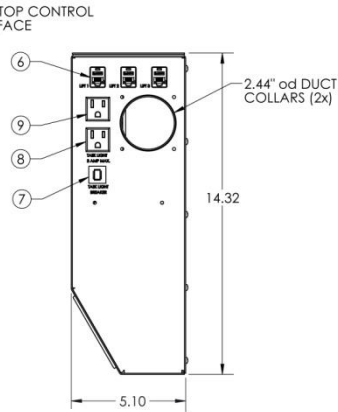
ME200 Front View



Left side



Right side



- | | |
|---|----------------------------------|
| 1 | IEC POWER CORD RECEPTACLE |
| 2 | MAIN POWER SWITCH |
| 3 | MAIN CIRCUIT BREAKER |
| 4 | AUXILIARY OUTLET |
| 5 | AUXILIARY OUTLET CIRCUIT BREAKER |
| 6 | LEG LIFT INTERFACE CONNECTOR |
| 7 | TASK LIGHT CIRCUIT BREAKER |
| 8 | TASK LIGHT OUTLET |
| 9 | TASK LIGHT OUTLET |

Standard Features

| | |
|------------------------|--|
| Cooling | 0- 1500fpm |
| Heat | 0-350W |
| Lighting | 0-100%, Max 3A load, 2 outlets, dimmable versatility |
| Lifts | 2 Linak lifts controlled by RJ12 connector (Linak Model CBD6S only) |
| Auxiliary outlet | Andon or other (cell phone charger, radio, etc.) |
| Commercial grade | Powder coated, lightweight aluminum |
| Controls | Capacitive touch technology |
| Filtration | MERV 7 |
| Optional motion sensor | 10-minute turn off with no activity; returns to last setting upon activation |

U. S. Patent No. D786096



REV. 11-2016